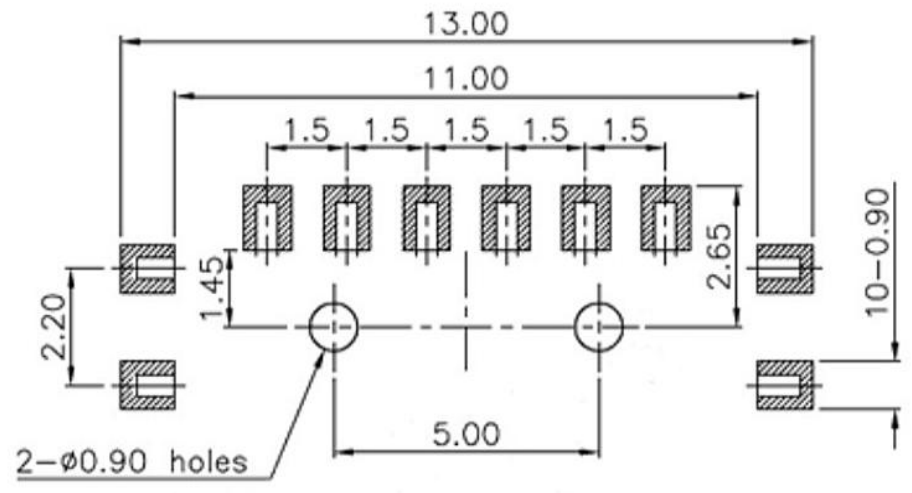
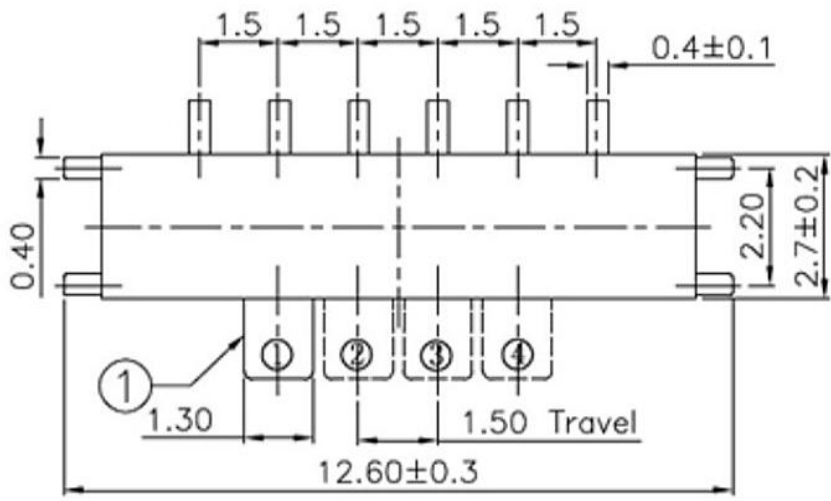
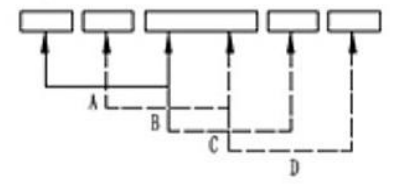
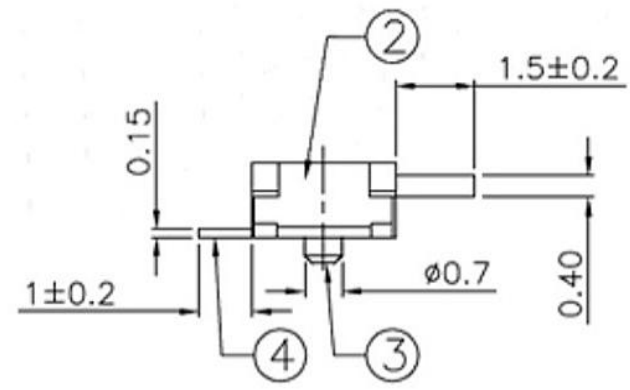
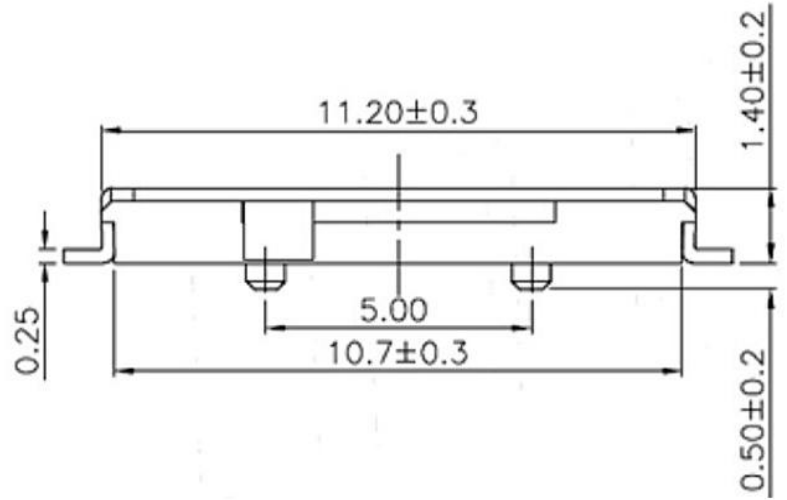


CAD FILE:



PCB Layout(Pattern side)



Circuit Diagram

NO.	PARTS	MATERIALS	Q'TY	FINISH
8				
7	STEEL BALL	STEEL	1	NATURAL
6	SPRING	STEEL WIRE	1	NATURAL
5	CONTACT CLIP	PBS STRIP	2	Ag PLATED
4	TERMINAL	BRASS STRIP	8	Ag PLATED
3	BASE	PHENOLIC RESIN	1	NATURAL
2	FRAME	STEEL STRIP	1	Ni PLATED
1	KNOB	POM	1	BLACK

TOLERANCE					
UNLESS SPECIFIED					
WITHIN	OVER	A	2012-10-26	初版	
		ISSUE	DATE	DESCRIPTIONS OF REVISION	
				APPD.	
TITLE : SLIDE SWITCH			UNIT : mm	DRWG NO.:	
MODEL:			SCALE: 3:1	DWN.	2012-10-26
<b>東莞市高迪電子有限公司</b> DONGGUAN GAODI ELECTRONICS CO., LTD.			CHK'D		2012-10-26
			APPD.		